

MATRIX

OVER BATH SCREEN

FITTING INSTRUCTIONS

BS136 BS136N

IMPORTANT CHECK LIST

PLEASE ENSURE The walls are reasonably flat and that the bath tub is level, properly installed, and drains correctly, There is no pipe work or cables behind walls where drilling. Shower screen is correct size for bath tub (see measurements below) There is no visual defect on door (as claim will not be accepted after installation) Proper fixings used if cavity wall

Cleaning Instructions:

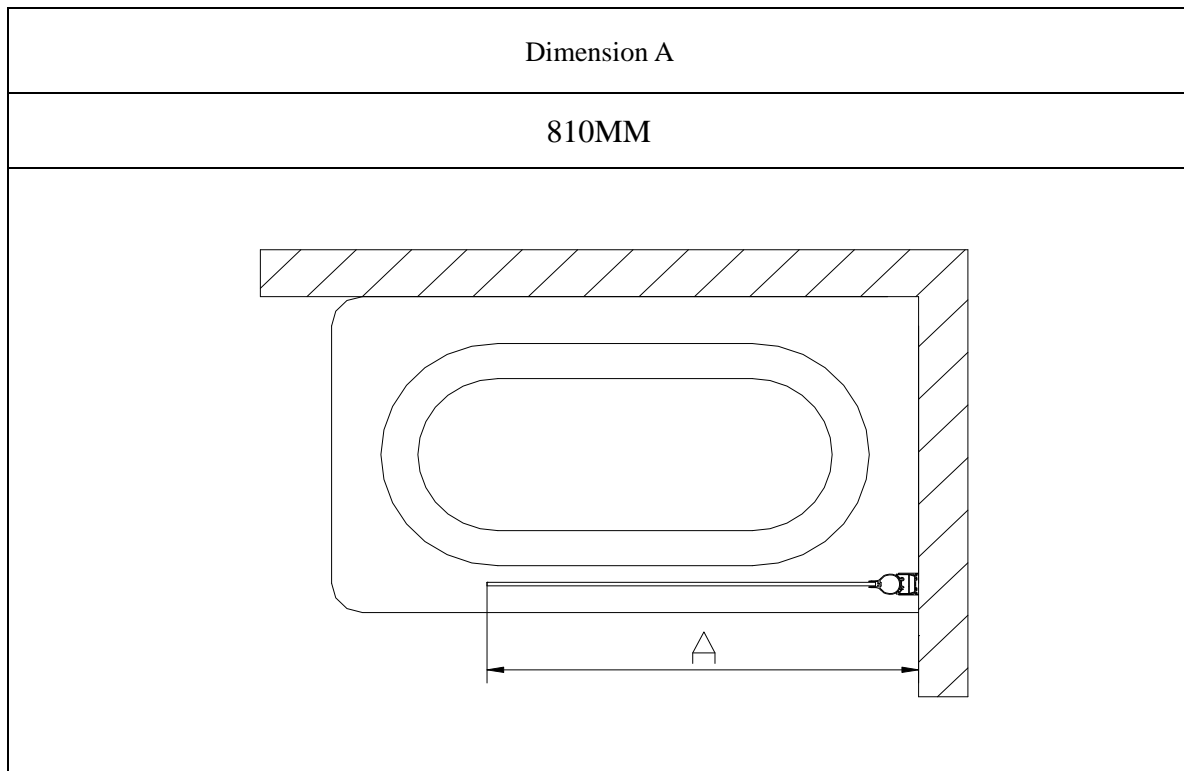
It is important to clean your Matrix shower enclosure after every use. Please wipe down all the glass and metal parts with a clean soft cloth. Ensure that all residue water on the glass is removed after every use. Clean the glass regularly with hot soapy water. Do not use any chemicals on the surface.

Do not allow limescale to build up on your Matrix enclosure.

Do not use any abrasive products on any surface.

Install your enclosure in a well ventilated room.

PRODUCT DIMENSIONS (refer to outer package for product detail)

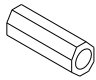

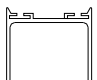


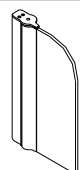
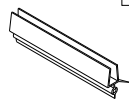
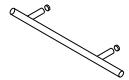


INSTRUCTION MANUAL

Inspect screen after opening

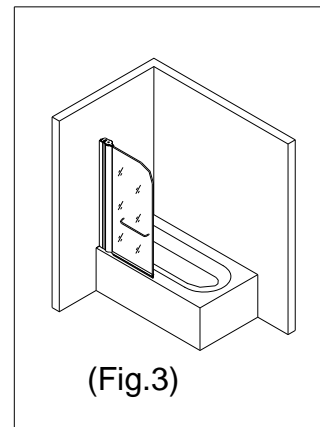
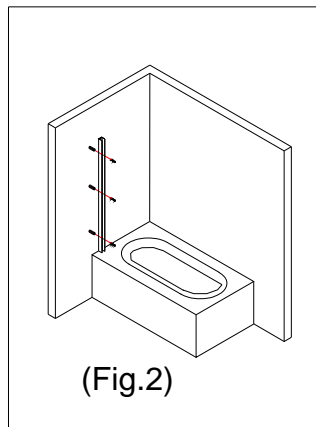
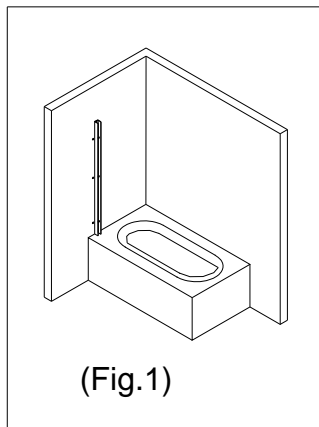
Please read instructions carefully, check amount of accessories and whether the shower screen is in good condition with no visual defect if there is any problem contact your supplier or our company immediately ,no claim accepted after installation..

I .Parts description

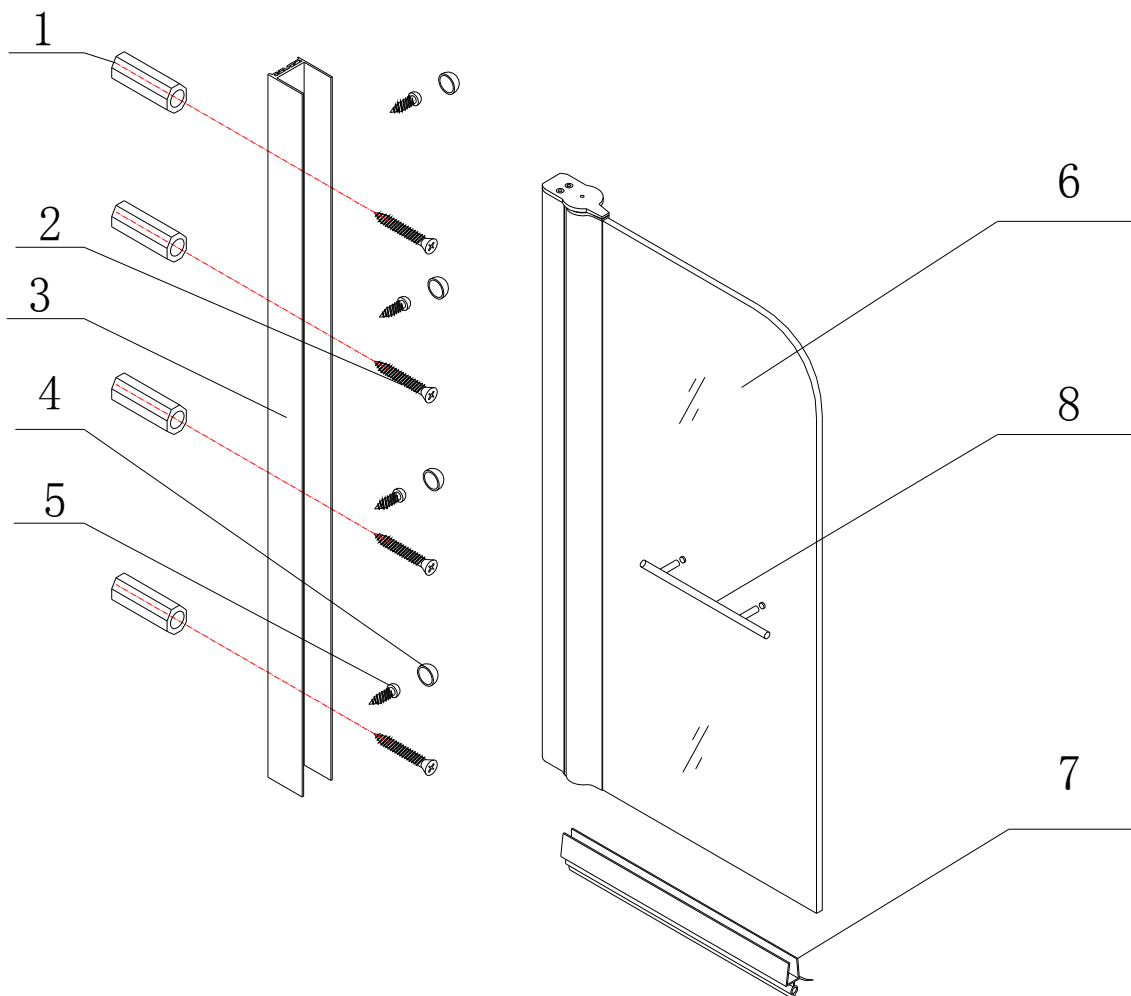
| | | | | | | | |
|---|---------------|---|-------------|---|--|---|-------------|
| ① | WALL PLUG | ② | WALL SCREW | ③ | WALL PROFILE | ④ | SCREW COVER |
| | 3PCS | | 3PCS | | 1PC | | 3PCS |
|  | |  | |  | |  | |
| ⑤ | PROFILE SCREW | ⑥ | BATH SCREEN | ⑦ | FLEXIBLE SEALING STRIP AT THE BOTTOM OF MOVING PANEL | ⑧ | HANDLE |
| | 3PCS | | 1PC | | 1PC | | 1PC |
|  | |  | |  | |  | |

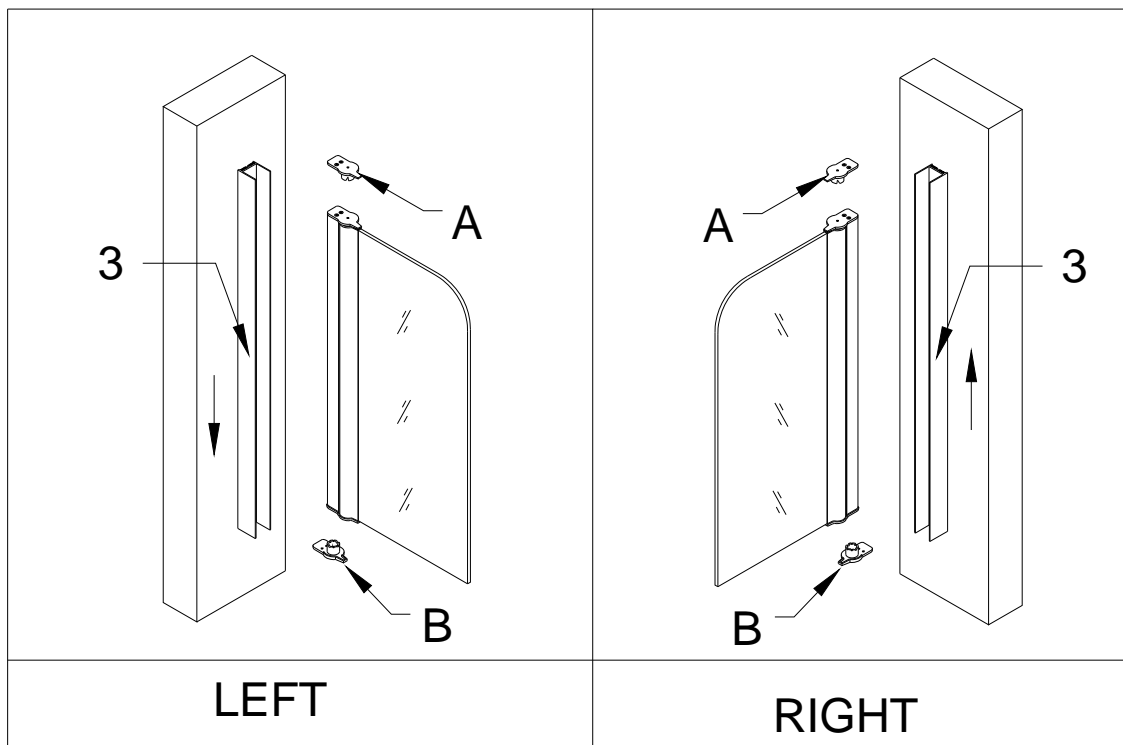
IMPORTANT :Please note that all numbers' marks are also shown on the little round sticker on the components accordingly. Please check the list with everything in the package. Please contact with supplier immediately if any part is missing.

II . Installation steps



- 1、 Install and level the bathtub as per the manufacturer's instructions. And mark 3 wall holes' position first.
- 2、 Install wall profile level in upright position using screws NO.2 (See Fig.2)
- 3、 Fix part NO. 6 to wall profile using screws on inside. And at last fix handle to screen.





THIS DOOR IS PRE-ASSEMBLED TO BE INSTALLED LIKE THE 'LEFT' ILLUSTRATED HERE. IF YOU WANT TO INSTALL IT LIKE THE 'RIGHT', PLEASE MAKE SURE:

- (I) TOP COVER 'A' AND BOTTOM COVER 'B' ARE POSITION EXCHANGED.
- (II) PART ③ IS TURNED UP SIDE DOWN.