

MATRIX

SLIDING SHOWER DOOR ENCLOSURES FITTING INSTRUCTIONS M800Q, M900Q, M1000Q

IMPORTANT CHECK LIST - PLEASE ENSURE

The walls are reasonable flat and that the shower tray is leveled

There is no pipe work or cables behind walls where drilling

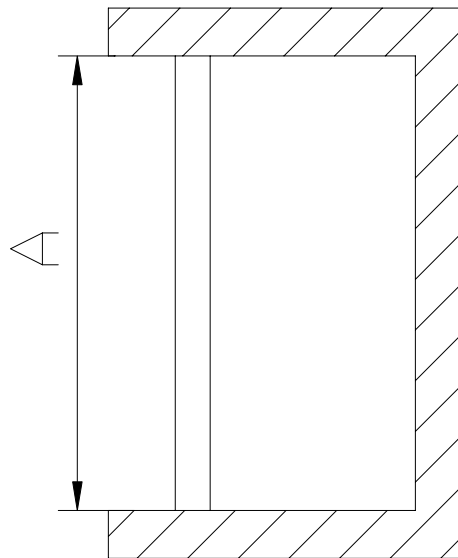
Shower door is correct size door for tray(see measurements below)

Shower base is level and secure and sealed correctly(bottom profile sealed on outside only)

There is no visual defect on door(as claim will not be accepted after installation)

Proper fixings used if cavity wall or other

TRAY Size	Dimensions A Min-Max
1000MM	970-995MM
1100MM	1070-1095MM
1200MM	1170-1195MM

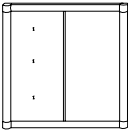
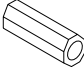


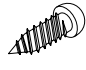

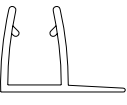
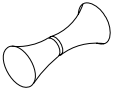
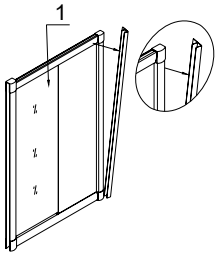
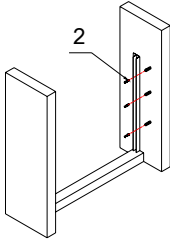
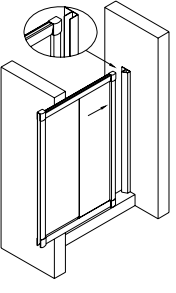
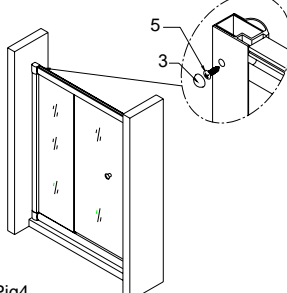
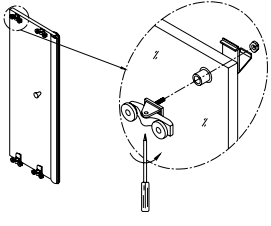
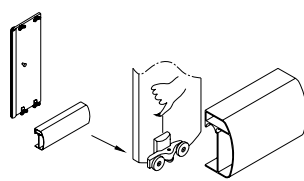
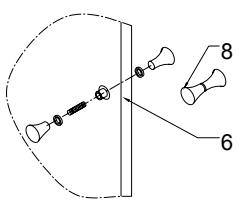
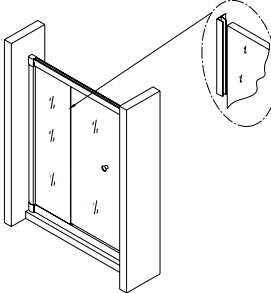
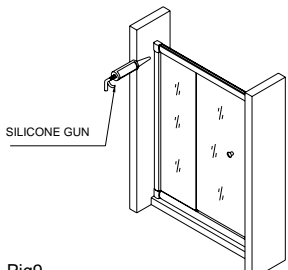


INSTRUCTION MANUAL

Inspect door after opening

Please read instructions carefully, check amount of accessories and whether the shower door is in good condition and if there are any problems contact your supplier or our company.

Parts description

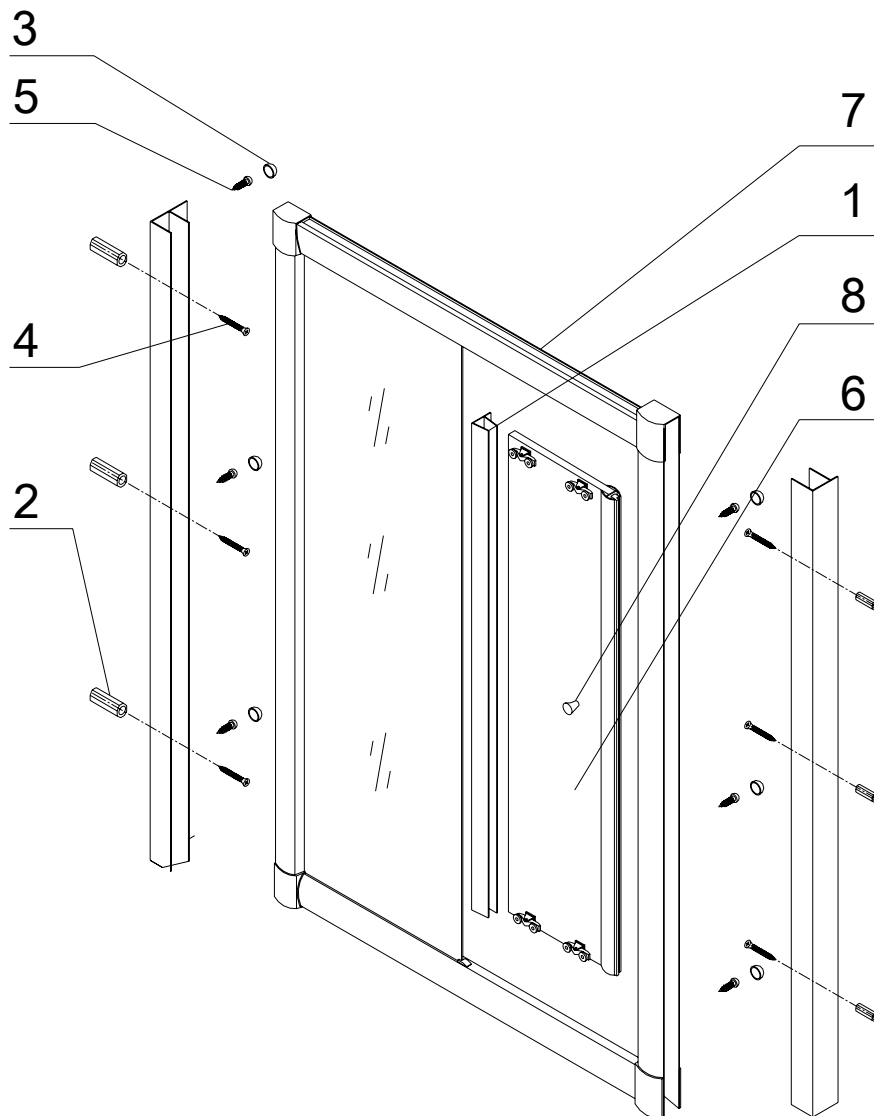
<p>1</p> 	<p>2</p> 	<p>3</p> 	<p>4</p>  <p>ST4*30</p>
<p>TOP AND BOTTOM PROFILE</p>	<p>WALL PLUG</p>	<p>SCREW CAP</p>	<p>SCREW</p>
<p>5</p>  <p>ST4*12</p>	<p>6</p> 	<p>7</p> 	<p>8</p> 
<p>INNER PROFILE SCREW</p>	<p>MOVING PANEL</p>	<p>SIDE GASKET</p>	<p>DOOR HANDELS</p>
 <p>Pig1</p>	 <p>Pig2</p>	 <p>Pig3</p>	
 <p>Pig4</p>	 <p>Pig5</p>	 <p>Pig6</p>	
 <p>Pig7</p>	 <p>Pig8</p>	 <p>Pig9</p>	

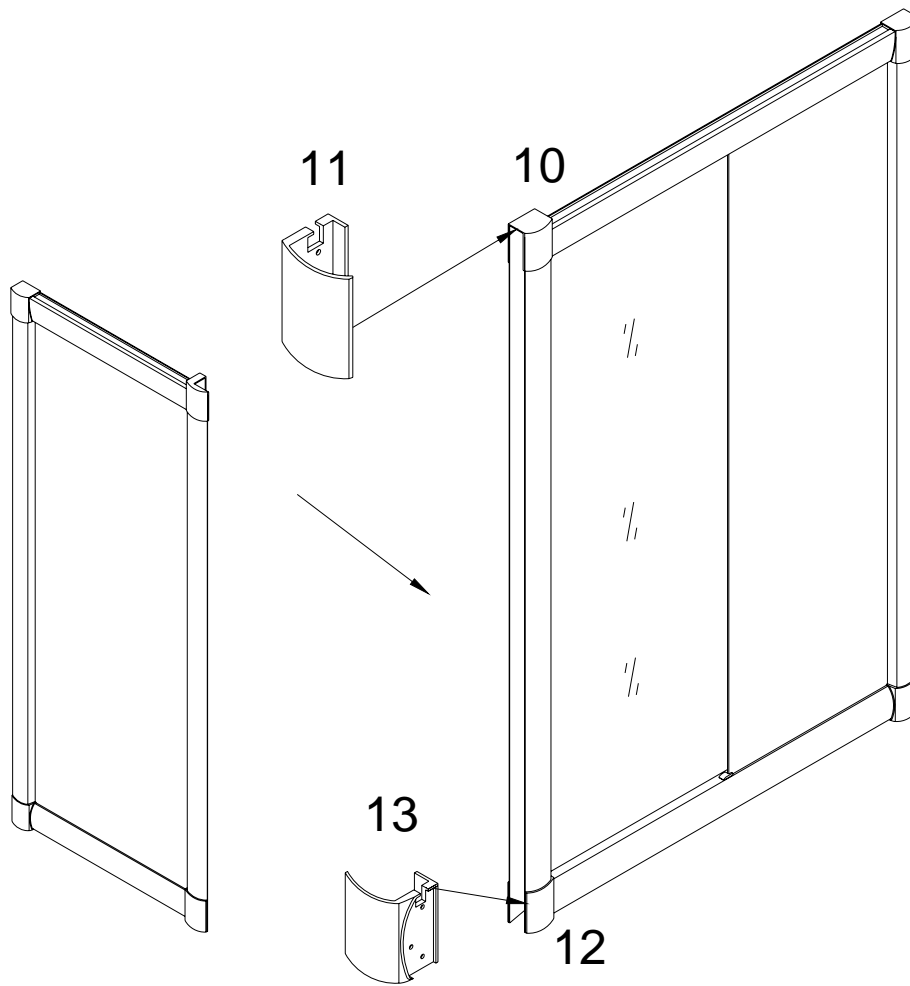
1、 Install wall profiles level in upright position using screws(see Fig.2)

- 2、 Level door on tray and fix door to wall profile as per(see Fig.2)
- 3、 Fix handles on to door. (see Fig 5)
- 4、 Adjust rollers if needed for smooth running
- 5、 Place silicone between wall profile and wall and between bottom profile and tray(outside only)
do not use shower for 24hours

Adjustment

All doors are designed to run correctly , If this does not occur please revert to point NO.2 make sure gaskets are fully slotted in or use hex nuts on back of top roller to get adjustment





If the side panel is attached to the fixed panel's profile, please replace the chrome cover "10" by "11" at the top, and replace the chrome cover "12" by "13" at the bottom.