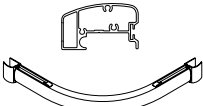
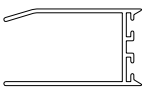
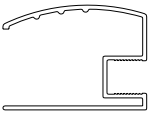
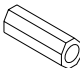




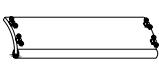
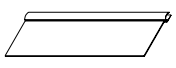
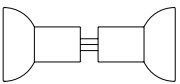



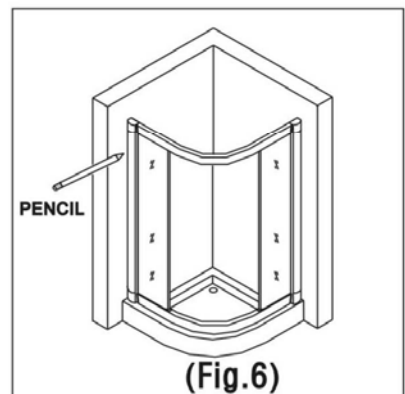
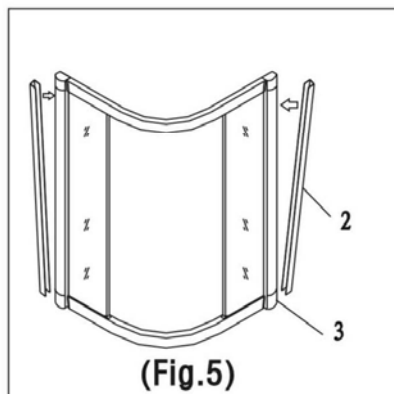
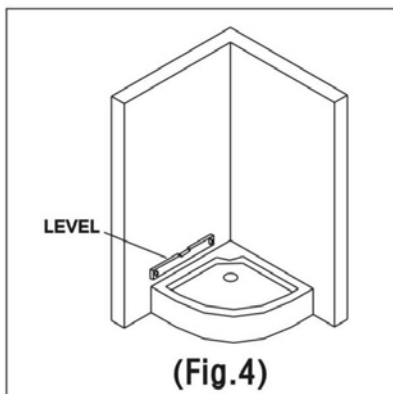
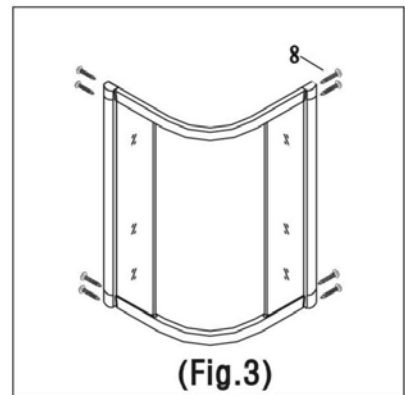
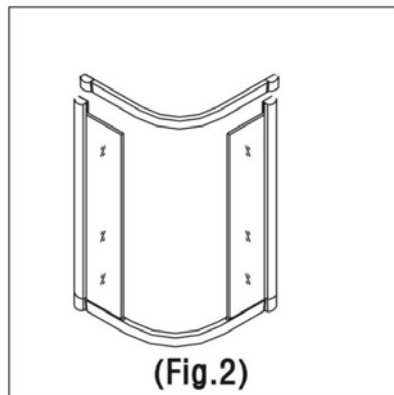
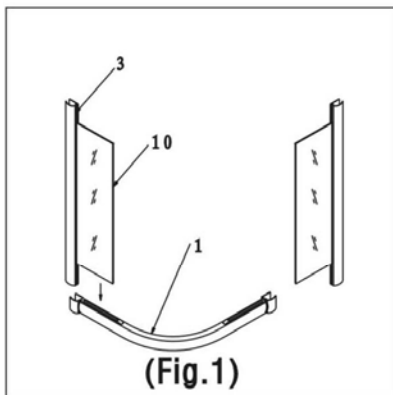


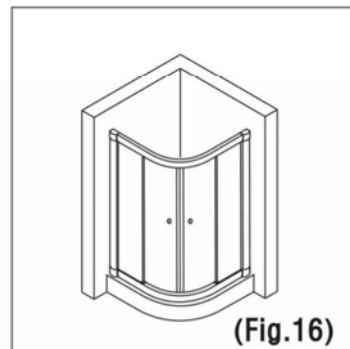
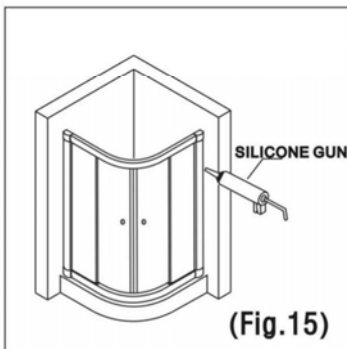
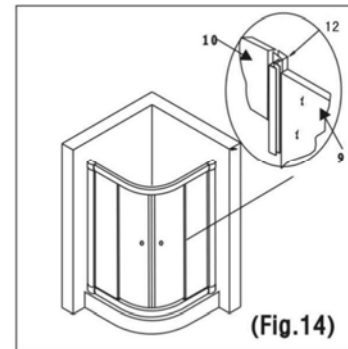
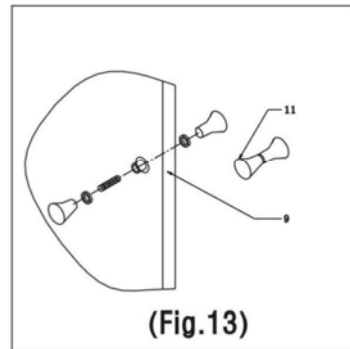
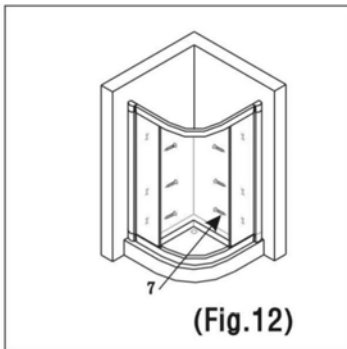
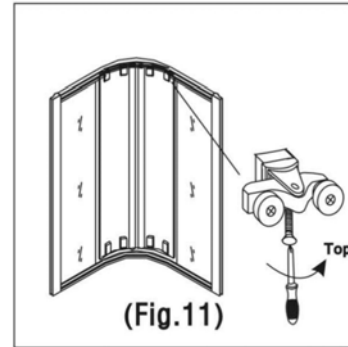
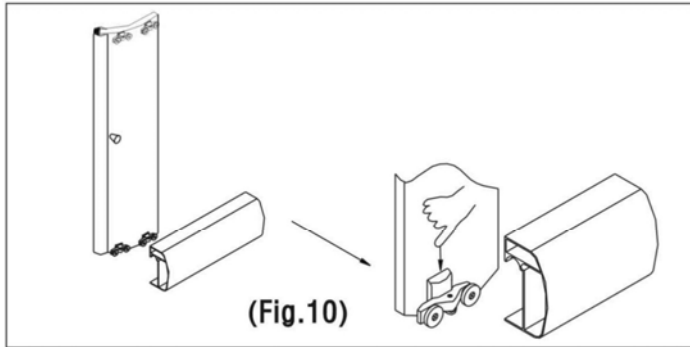
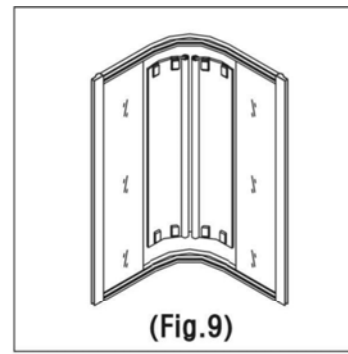
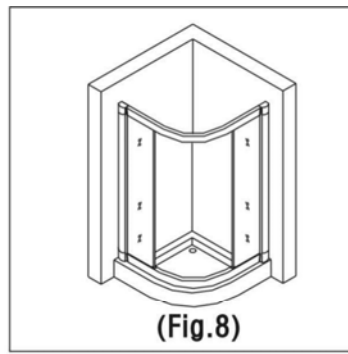
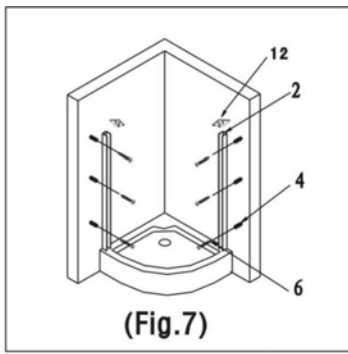
# INSTRUCTION MANUAL

Inspect door after opening

Please read instructions carefully, check amount of accessories and whether the shower door is in good condition and if there are any problems contact your supplier or our company.

①	CHNNEL	②	WALL PROFILE	③	DOOR PANEL PROFILE	④	WALL PLUG	⑤	SCREW CAPS
									
⑥	WALL PROFILE SCREW	⑦	FIXING CSREWS	⑧	DOOR PANEL SCREW	⑨	MOVING PANEL	⑩	FIXED PANEL
									
ST4*30		ST4*30		ST4*12					
⑪	DOOR HANDLES	⑫	SIDE PANEL GASKET						
									





1、 Install wall profiles (NO.2) level in upright position using screws (No. 6)(Fig.7). It is ESSENTIAL to fix the wall profile 2mm above the shower tray to accommodate the door panel profiles.

2、 Build frame by attaching top and bottom profiles (No. 1) to fixed panels (No. 10) using fixing screws supplied(No. 8) securely on each corner make sure gaskets are fully

inserted and pushed home as if not fully inserted this will result in doors not clipping into position (see Fig. 3)

- 3、 Hang doors from top profile using adjustment to check for initial smooth running(No. 9), remove to fix frame to wall profiles(doors can be reinstalled after frame is secured).\$
- 4、 Fix frame to wall profiles using screws on inside. (see Fig. 12)
- 5、 Fix handles to doors. (No.11)
- 6、 Hang doors onto frame and adjust for smooth running.
- 7、 Seal door on outside only (wall and between tray) to ensure watertight seal.

## Adjustment

All doors are designed to run correctly. If this does not occur please revert to point NO.2 make sure gaskets are fully slotted in or use hex nuts on back of top roller to get adjustment.

