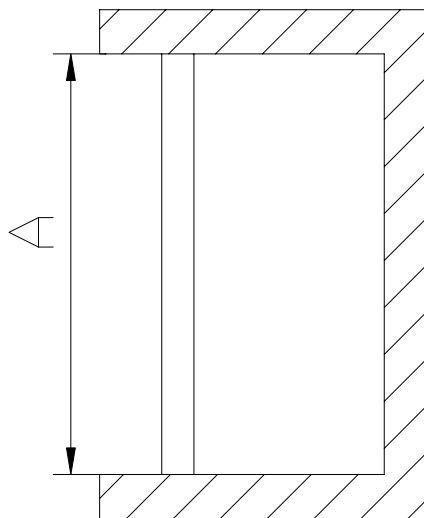


## **HINGE SHOWER DOOR FITTING INSTRUCTIONS MH76, MH80, MH90, MH10 IMPORTANT CHECK LIST**

### **PLEASE ENSURE**

- The walls are reasonably flat and that the shower tray is level
- There is no pipe work or cables behind walls where drilling
- Shower door is correct size for tray(see measurements below)
- Shower base is level and secure and sealed correctly
- There is no visual defect on door(as claim will not be accepted after installation)
- Proper fixings used if cavity wall or other

<b>TRAY Size</b>	<b>Dimensions A Min-Max</b>
760MM	730-755MM
800MM	770-795MM
900MM	870-895MM
1000MM	970-995MM


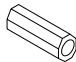





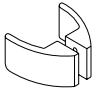


# INSTRUCTION MANUAL

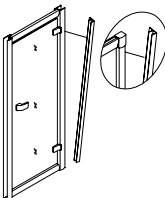
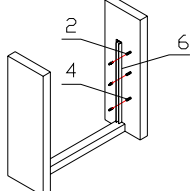
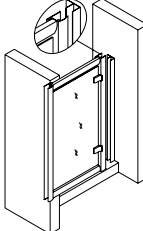
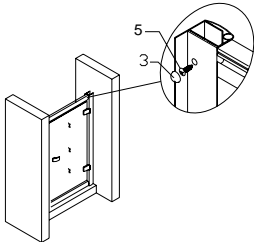
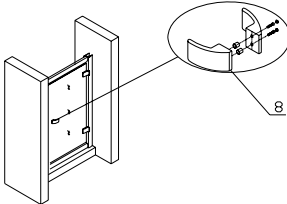
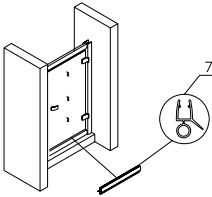
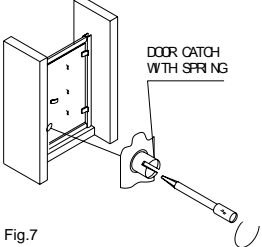
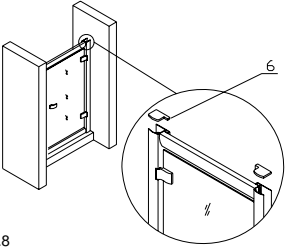
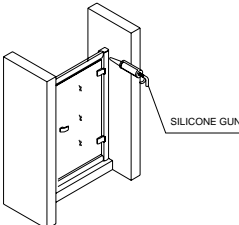
Inspect door after opening

Please read instructions carefully, check amount of accessories and whether the shower door is in good condition and if there are any problems contact your supplier or our company.

## Parts description

1 	2 	3 	4 
FRAME WITH DOOR	WALL PLUG	SCREW CAP	WALL PROFILE SCREW
5 	6 	7 	8 
PROFILE SCREW	END COVER	BOTTOM GASKET	DOOR HANDLES

 Fig. 1	 Fig. 2	 Fig. 3
 Fig. 4	 Fig. 5	 Fig. 6
 Fig. 7	 Fig. 8	 Fig. 9

1、 Install wall profiles level in upright position using screws(see Fig.2)

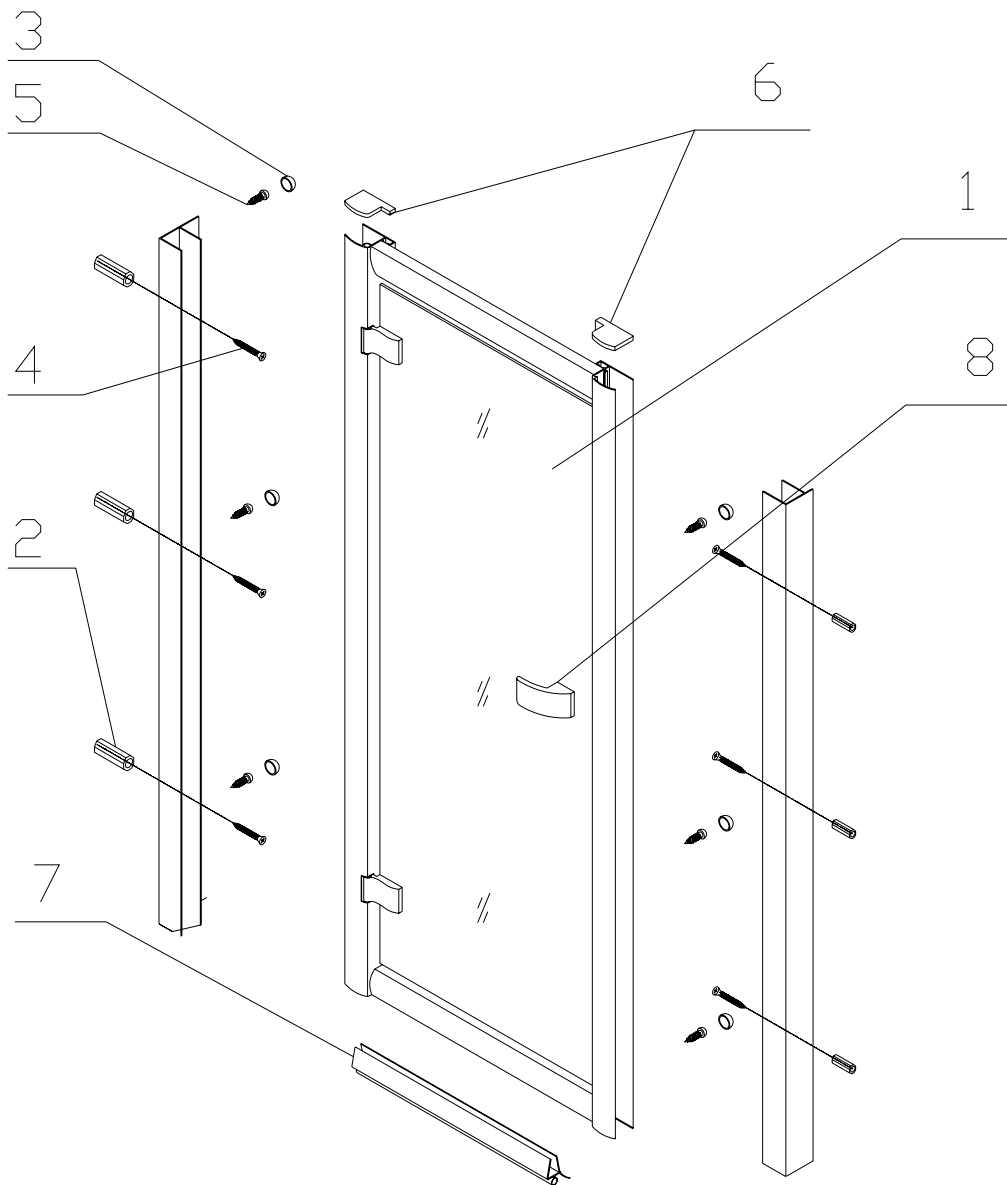
2、 Level door on tray and fix door to wall profile as per(see Fig.3)

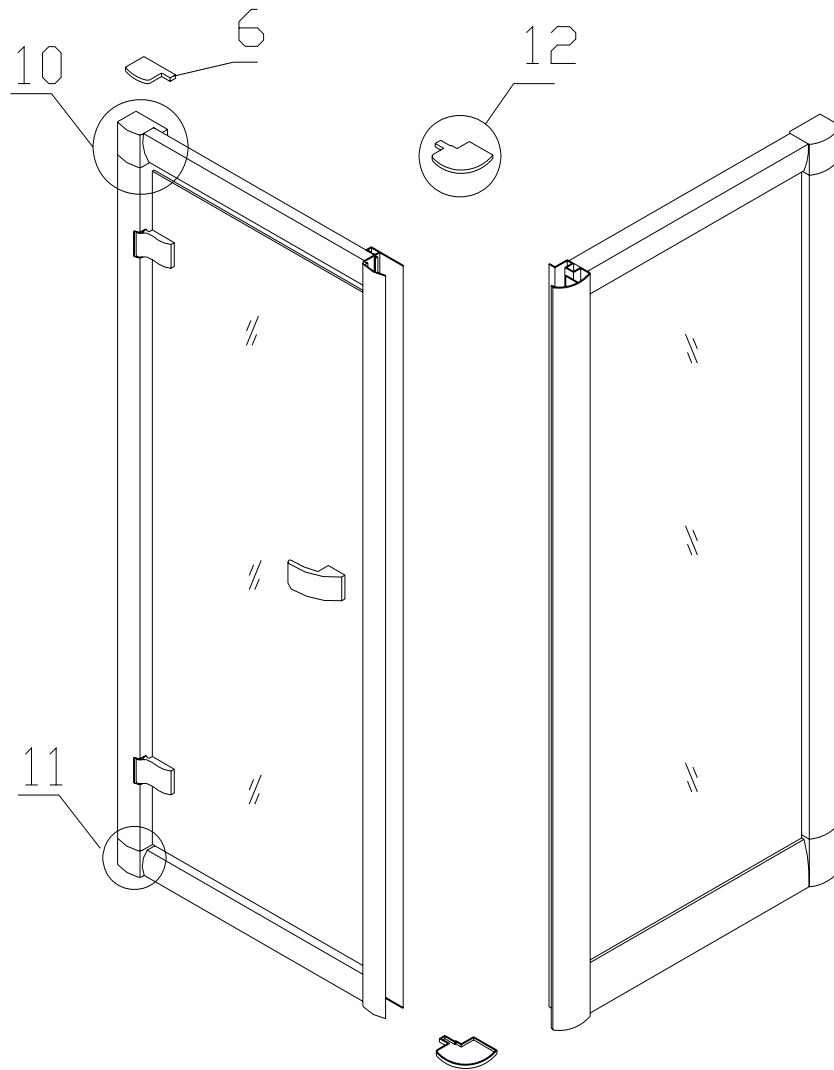
3、 Fix handles on to door. (see Fig 5)

- 4、 The door catch with spring can be adjusted to have the door shut properly ( Fig.7 )
- 5、 Place silicone between wall profile and wall and between bottom profile and tray(outside only)  
do not use shower for 24hours

### Adjustment

All doors are designed to run correctly , If this does not occur please revert to point NO.2 make sure gaskets are fully slotted in or use hex nuts on back of top roller to get adjustment





IF SIDE PANEL IS NEEDED, PLEASE USE CHROME COVER PART10 AND 11 TO REPLACE PART 6. ALSO, USE PART 12 FOR TOP AND BOTTOM COVERS OF CORNER POST.