

BATH SCREEN FITTING INSTRUCTIONS

BS236

IMPORTANT CHECK LIST

PLEASE ENSURE

The walls are reasonably flat and that the bath tub is leveled

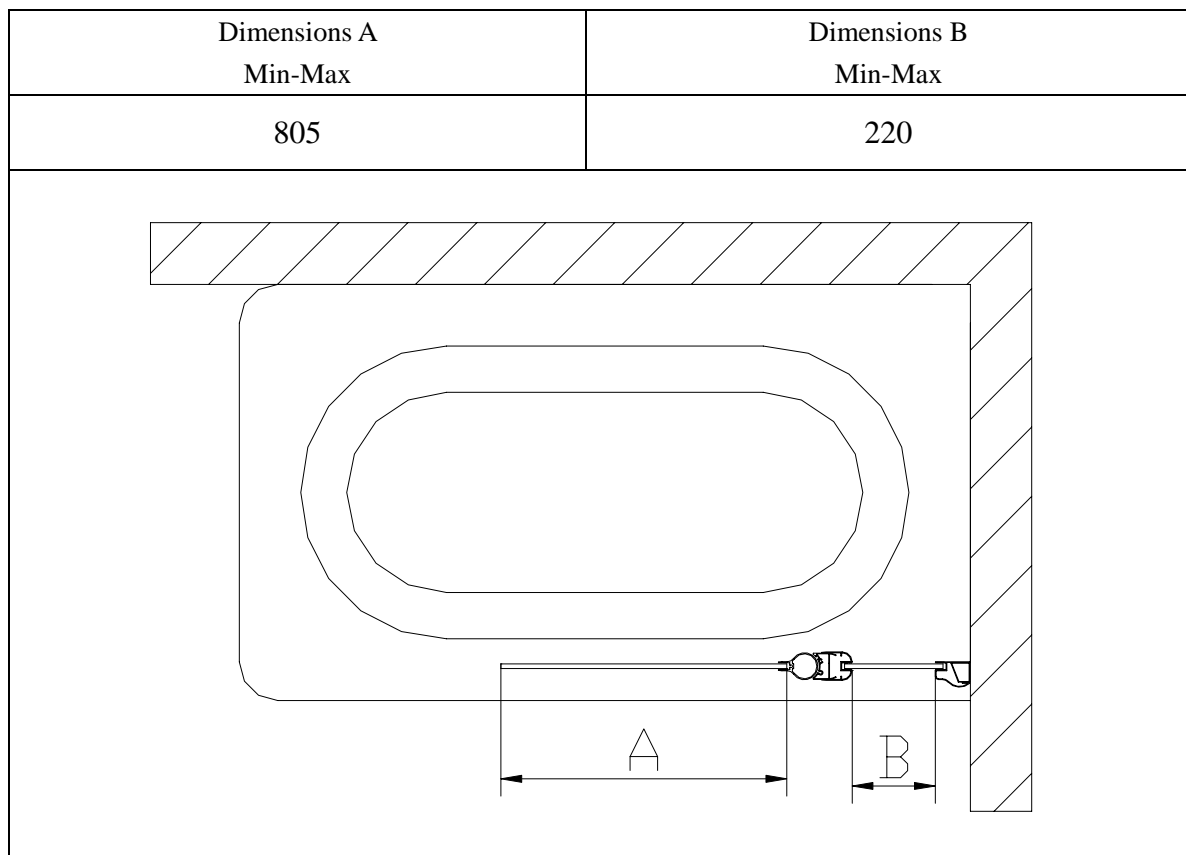
There is no pipe work or cables behind walls where drilling

Shower screen is correct size bath tub (see measurements below)

There is no visual defect on door (as claim will not be accepted after installation)

Proper fixings used if cavity wall or other

PRODUCT DIMENSIONS (refer to outer package for product detail)

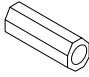




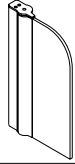
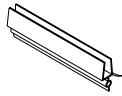


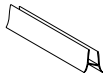
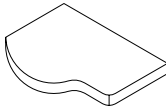



INSTRUCTION MANUAL

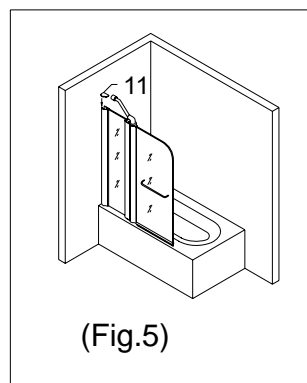
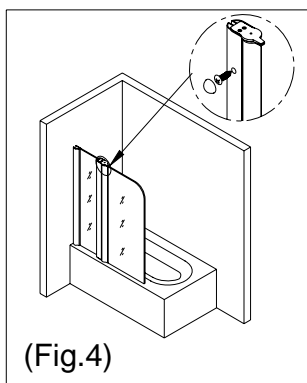
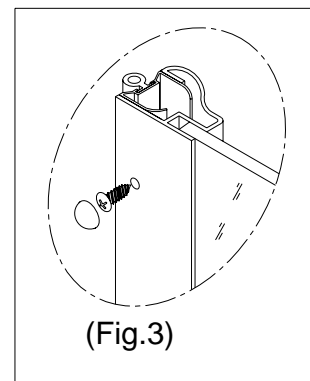
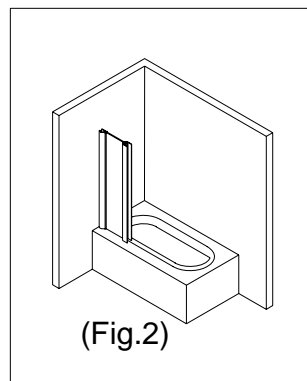
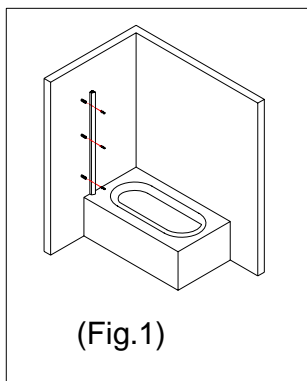
Inspect screen after opening

Please read instructions carefully, check amount of accessories and whether the shower screen is in good condition and if there is any problem contact your supplier.

I .Parts description

①	WALL PLUG	②	WALL SCREW	③	WALL PROFILE	④	SCREW COVER
							
⑤	PROFILE SCREW	⑥	BATH SCREEN	⑦	FLEXIBLE SEALING STRIP AT THE BOTTOM OF MOVING PANEL	⑧	HANDLE
							
⑨	FIXED PANEL	⑩	GASKET	⑪	END COVER	⑫	MOUNTING BAR
							

II . Installation steps



- 1 、 Install wall profile level in upright position using screws No 2(see fig1)
- 2 、 Fix part NO. 9 to wall profile using screws on inside (see fig3)
- 3 、 Install part NO.6 to part NO.9,using screws NO.5(see fig. 4)
- 4 、 Ensure retaining bar is very secure
- 5 、 Seal wall profile on outside only

Adjustment

All screens are designed to work correctly. If this does not occur please revert to point No. 2.

