

## **Deluxe Wet room Screen WR900, WR1000, WR1200 FITTING INSTRUCTIONS IMPORTANT CHECK LIST**

### **PLEASE ENSURE**

The walls are reasonably flat

There is no pipe work or cables behind walls where drilling

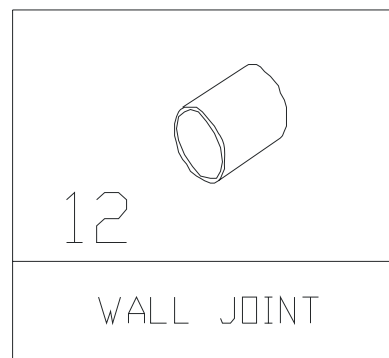
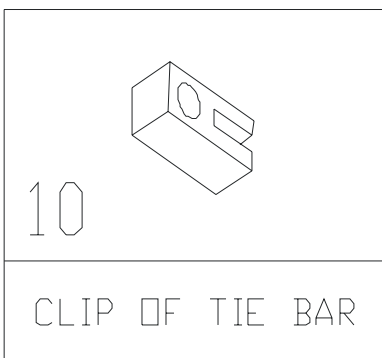
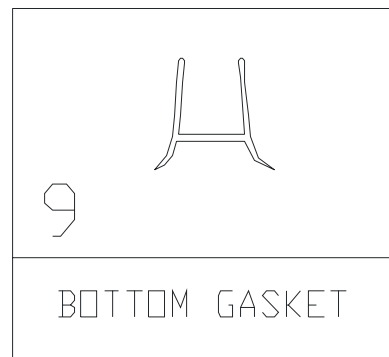
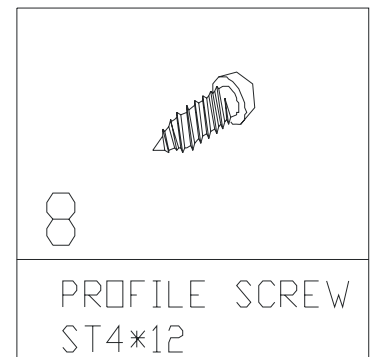
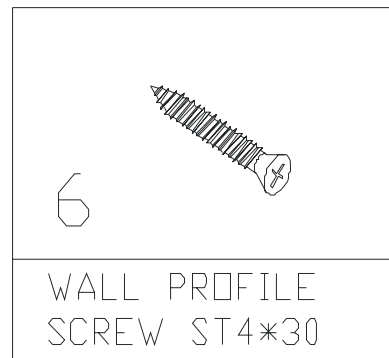
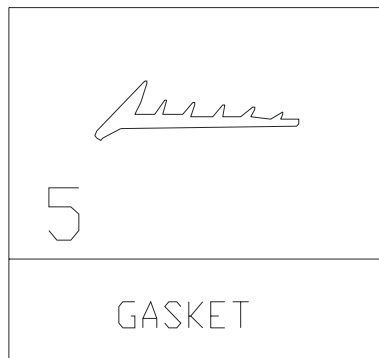
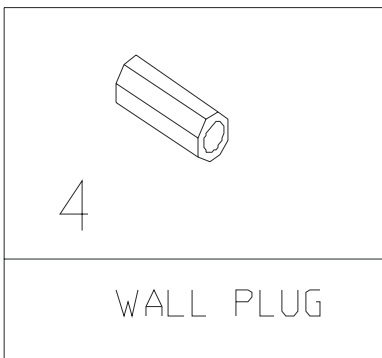
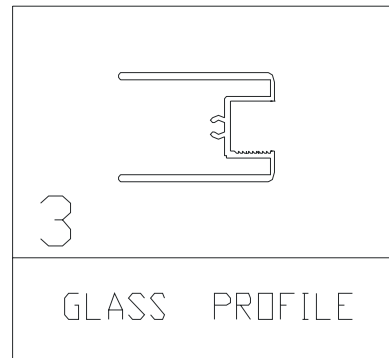
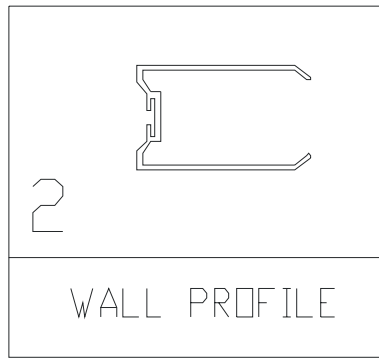
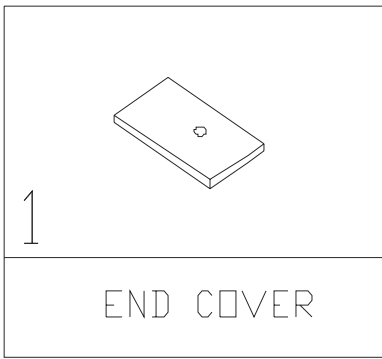
There is no visual defect on door(as claim will not be accepted after installation)

Proper fixings used if cavity wall or other

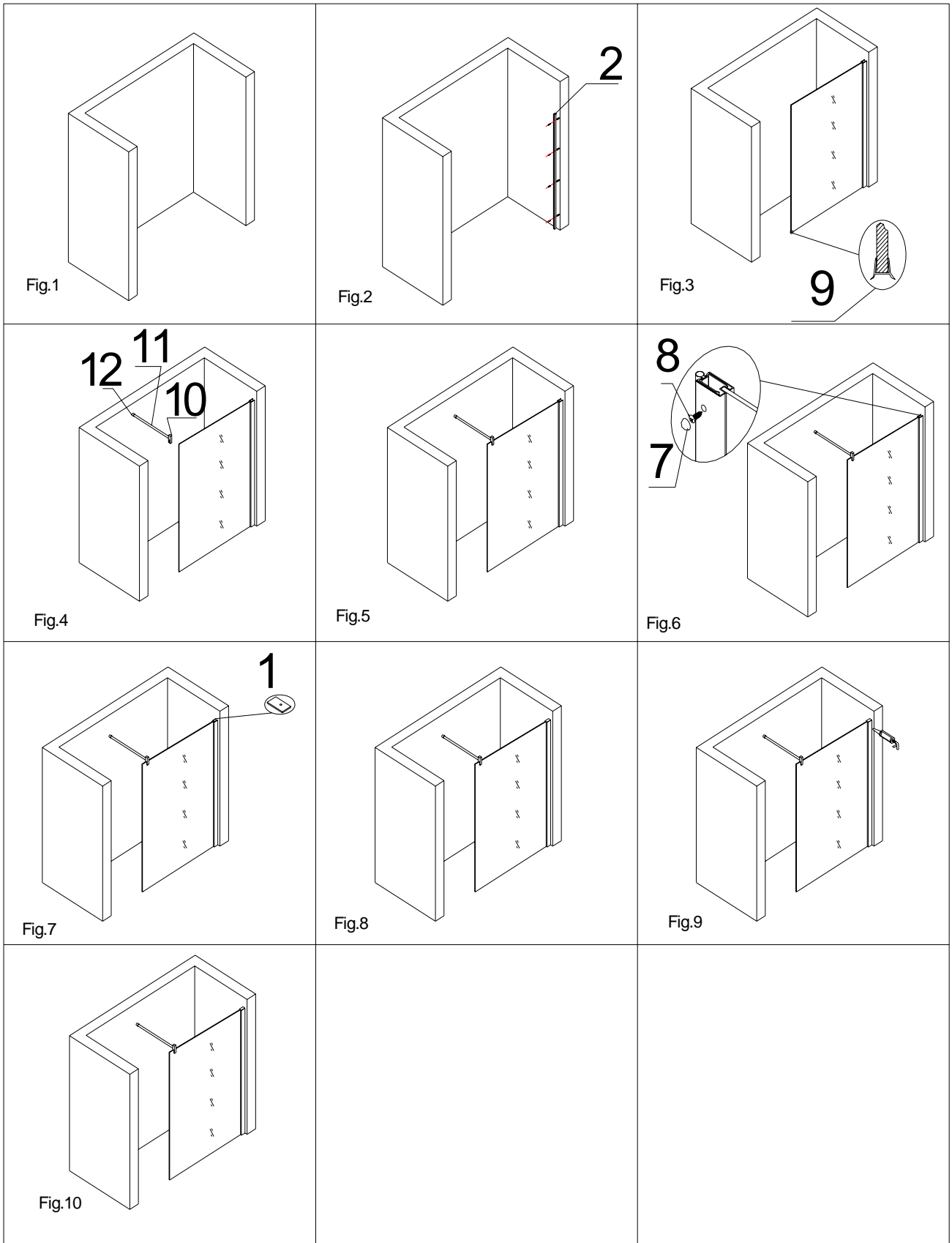
Inspect door after opening

Please read instructions carefully, check amount of accessories and whether the shower door is in good condition and if there are any problems contact your supplier or our company.

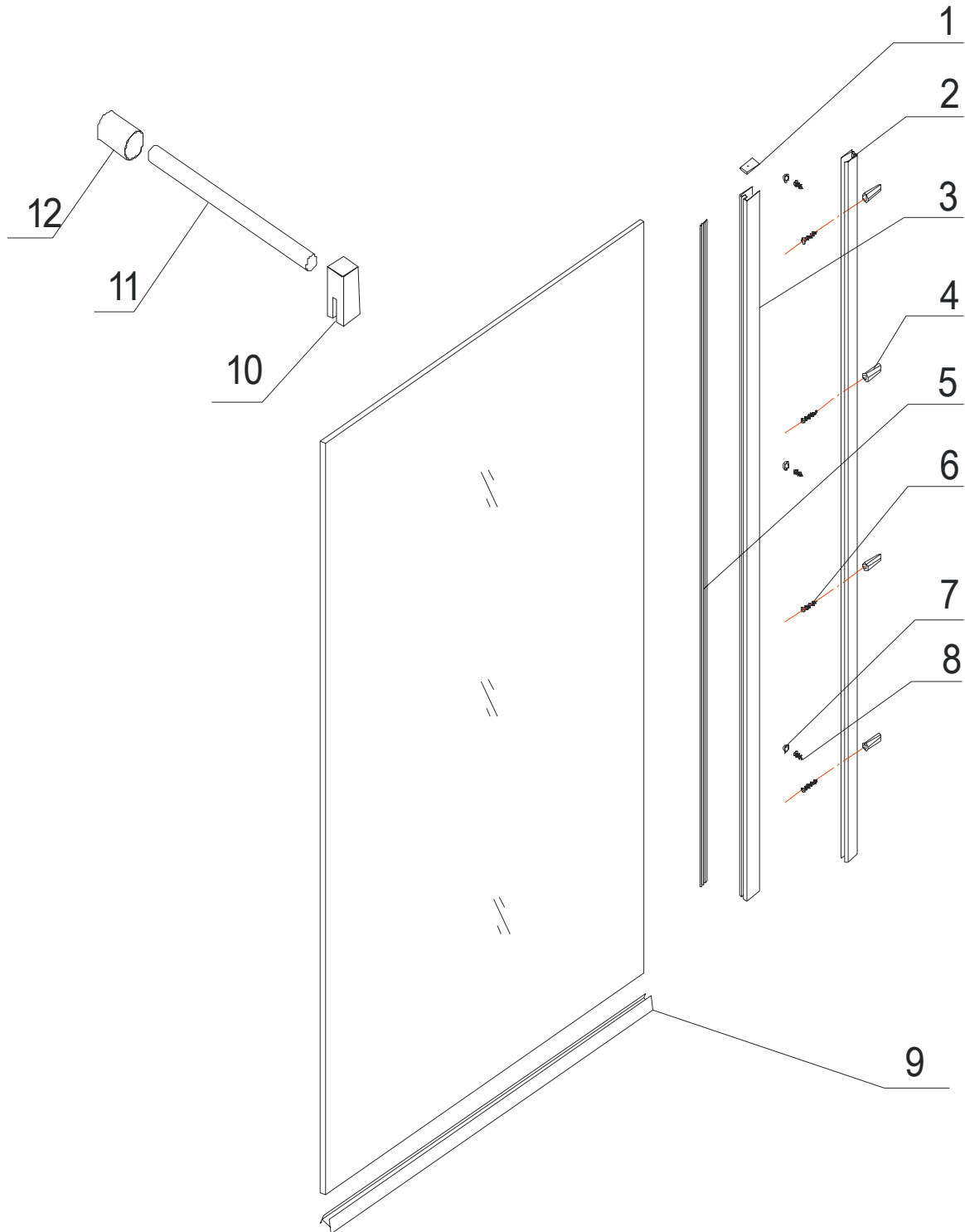
**COMPONENTS:**



# INSTALLATION OPTIONS I



Make sure gaskets are fully slotted in



## INSTALLATION OPTIONS II

